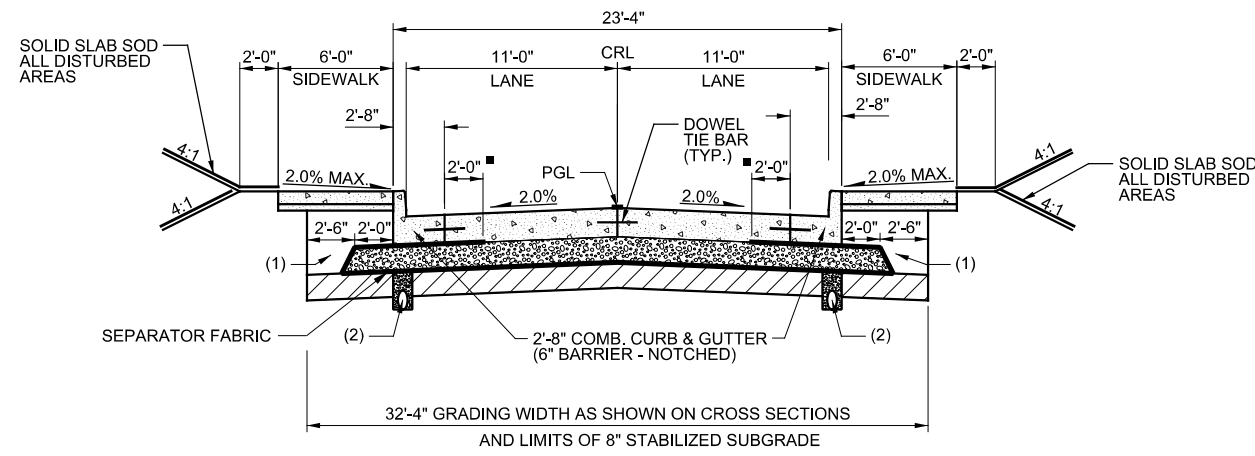


TYPICAL SECTION NO. 9
 WESTERN AVE. / CLASSEN BLVD.
 STA. 16+94.00 TO STA. 18+35.37

NOTE:

DIMENSION SHOWS EXTENT OF SEPARATOR FABRIC WRAP AROUND

PAVT. STRUCTURE	55' DRIVING LANES	SIDEWALK
SURFACE COURSE	9" DOWEL JOINTED P.C. CONC. PAV.	4" CONCRETE SIDEWALK
BASE COURSE	8" AGGREGATE BASE TYPE A	4" AGGREGATE BASE TYPE A



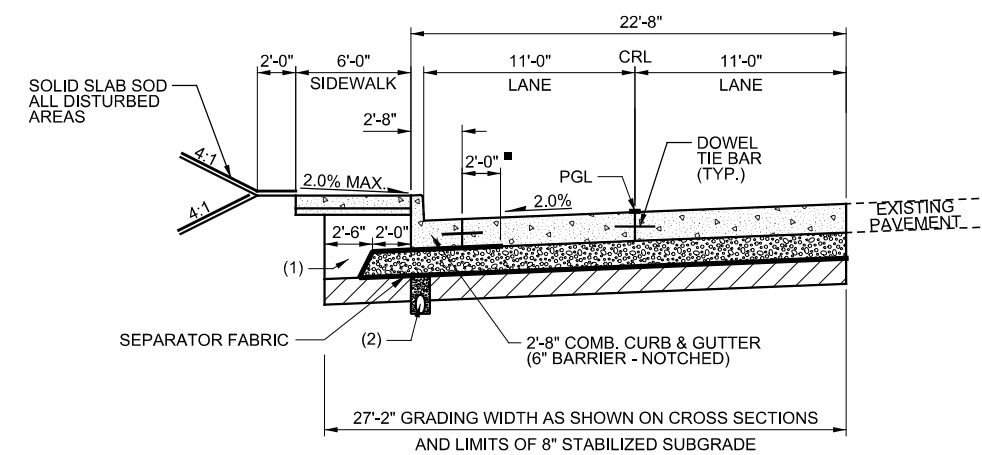
TYPICAL SECTION NO. 10

SHARTEL AVE. STA. 0+22.39 TO STA. 1+43.93
 STA. 3+39.62 TO STA. 3+86.39
 WESTERN AVE. STA. 10+82.66 TO STA. 13+21.37
 2ND STREET STA. 10+06.01 TO STA. 11+83.58

NOTE:

DIMENSION SHOWS EXTENT OF SEPARATOR FABRIC WRAP AROUND

PAVT. STRUCTURE	22' DRIVING LANES	SIDEWALK
SURFACE COURSE	9" DOWEL JOINTED P.C. CONC. PAV.	4" CONCRETE SIDEWALK
BASE COURSE	8" AGGREGATE BASE TYPE A	4" AGGREGATE BASE TYPE A



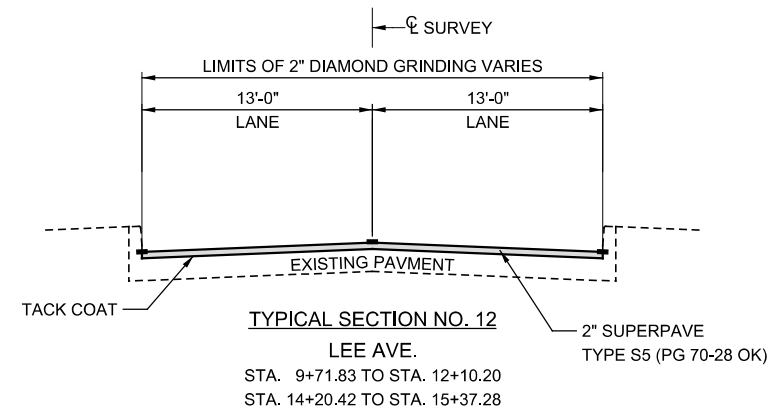
TYPICAL SECTION NO. 11

2ND STREET
 STA. 11+83.58 TO STA. 14+52.08

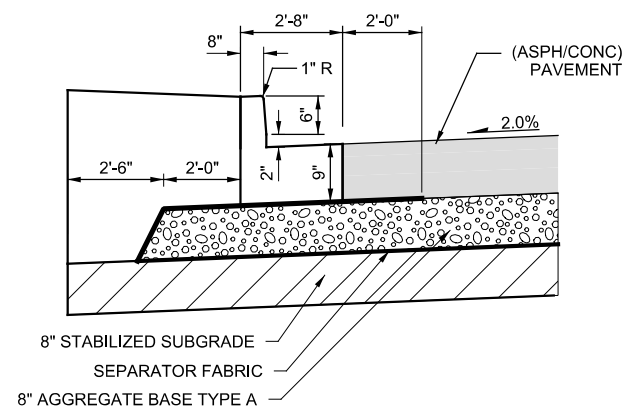
NOTE:

DIMENSION SHOWS EXTENT OF SEPARATOR FABRIC WRAP AROUND

PAVT. STRUCTURE	22' DRIVING LANES	SIDEWALK
SURFACE COURSE	9" DOWEL JOINTED P.C. CONC. PAV.	4" CONCRETE SIDEWALK
BASE COURSE	8" AGGREGATE BASE TYPE A	4" AGGREGATE BASE TYPE A



TYPICAL SECTION NO. 12
 LEE AVE.
 STA. 9+71.83 TO STA. 12+10.20
 STA. 14+20.42 TO STA. 15+37.28



TYPICAL CURB DETAIL
 N.T.S.
 2'-8" COMB. CURB & GUTTER (6" BARRIER)

- (1) THIS AREA TO BE BACKFILLED AND COMPACTED AS PART OF FINAL FINISHING OPERATIONS. COST TO BE INCLUDED IN OTHER ITEMS OF WORK.
- (2) INSTALLATION OF EDGE DRAIN, SEE ODOT STANDARD DETAIL PED-3-2

OKLAHOMA CITY BOULEVARD OKLAHOMA CO.

DESIGN	KBA	MMPC
DRAWN	ISFM	RWH
CHECKED	KBA	
APPROVED		
SQUAD	MacArthur	

OKLAHOMA DEPARTMENT OF TRANSPORTATION

TYPICAL SECTIONS (4)

STATE JOB NO. 17428(88) SHEET NO. 6

PRINT DATE: 9/11/2017 T:\1024-05\Drawings\Roadway\1024-05-TYP_03_conc.dgn